

Request sheet for spiral cable

to

TKD Kabel GmbH
Grathwohlstraße 6
D-72762 Reutlingen

Phone: +49 7127 8104-01
Fax: +49 7127 8104-20
E-Mail: info@tkd-kabel.de
Web: www.tkd-kabel.de

Date: _____

Sender

Customer no.: _____
Street, no.: _____
ZIP + city: _____
Company: _____
Contact partner: _____
Phone: _____
Fax: _____
E-Mail: _____

Required quantity:

Quantity: _____ Pieces
Required delivery date: _____
 one-time Annual demand >> Delivery lot size _____ Pieces

Use/ Application

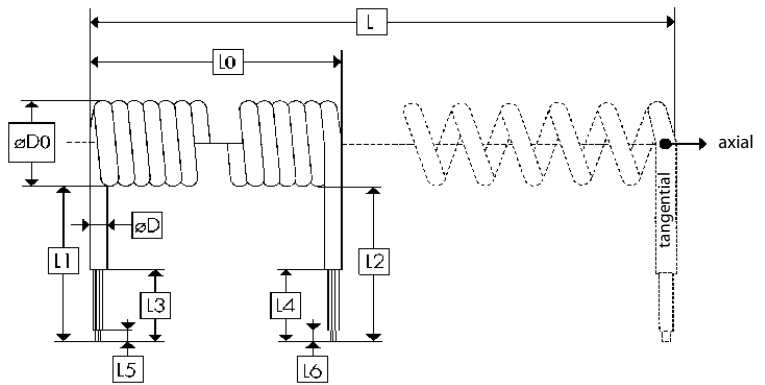
Place: Indoor Outdoor
Temperature range: Surrounding min/max. ____ / ____ °C Continuous load min/max. ____ / ____ °C Short term min/max. ____ / ____ °C
Application: _____

Primary cable

No. of cores & cross section: _____
Core color code: bw w. numerals n. DIN VDE0293 (colored) n. DIN47100 (colored) gn/ge earthing conductor
Core material: PVC TPE EPR/EPDM PUR _____
Insulation material: PVC PUR _____
Insulation color: black white grey orange yellow _____
Other requirements: shielded flame retardant halogen free oil resistant UV-resistant HAR UL/CSA

Spiral cable

Length:
L - Effective length: _____
Lo - Spiral length closed: _____ mm
D - cable-Ø: _____ mm
Do - spiral-Ø: _____ mm



Ends: Length end 1
Form of the ends: axial radial/tangential
Length: L1 _____ mm
Dismantle: L3 _____ mm
Adaption: L5 _____ mm

Length end 2
 axial radial/tangential
L2 _____ mm
L3 _____ mm
L6 _____ mm

Remarks (Assembly, special cable type, etc.): _____

Attachments _____