

Inquiry KAWEFLEX® Spiral cable

Inquiry-No.: _____

Date: _____

to
TKD Kabel GmbH Phone: +49 7127 8104-01
 Abteilung Spiralkabel Fax: +49 7127 8104-20
 Karl-Benz-Straße 20 E-Mail: info@tkd-kabel.de
 D-72124 Pliezhausen Web: www.tkd-kabel.de

Sender
Company: _____
 Address: _____
 ZIP + City: _____
 Country: _____
 Contact person: _____
 Phone: _____
 Fax: _____
 E-Mail: _____

Online form:
www.tkd-kabel.de/inquiry-spiral-cable

Demand quantity: _____ pieces once annual demand >> delivery lot size _____ pieces
 preferred date: _____

Use / Application

place: indoor outdoor
 temperatur range: environment min/max. ____ / ____ C° permanent load min/max. ____ / ____ C° short-term min/max. ____ / ____ C°
 application: _____

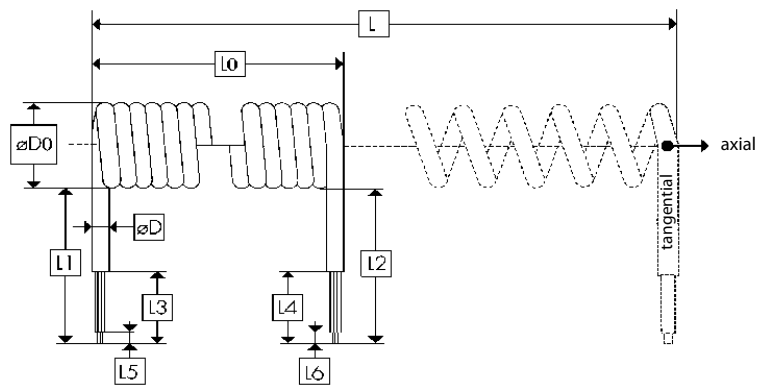
Basis cable

No. of conduct. & cross-section: _____
 core identification: black w. numerals acc. DIN VDE0293 (coloured) acc. DIN47100 (coloured) gn/ye protective conductor
 core insulation: PVC TPE EPR/EPDM PUR _____
 outer sheath: PVC PUR _____
 sheath colour: black white grey orange yellow _____
 other requirements: shielded flame retardant halogen-free oil-resistant UV-resistant HAR UL/CSA

Spiral cable

Block & Extension length:

L - useful/extension length: _____
 Lo - spiral/block length: _____ mm
 D - cable-Ø: ca. _____ mm
 Do - spiral-Ø: _____ mm



Ends: Side 1

end form: axial radial/tangential
 length: L1 _____ mm
 stripping: L3 _____ mm
 treatment: L5 _____

Side 2

axial radial/tangential (s. fig.)
 L2 _____ mm
 L3 _____ mm
 L6 _____

Remarks (assembly, special Cable type, etc.): _____

Attachments _____

Production related tolerances +/- 10 %